

InstaChange[®]

Automatic coin dispenser

Intelligent, reliable coin dispensing solution

The optimization of cash management calls for specialist experience, resources and truly innovative technology. Across the world, Talaris' cash management solutions are trusted by thousands of organizations to ensure their cash is managed securely and efficiently while delivering the ultimate in productivity.

InstaChange is the perfect coin dispensing solution for both financial institutions and retailers.



Talaris' InstaChange automatic coin dispenser features enhanced technology that results in efficient and accurate coin dispensing. The dispenser can be shared by two staff members.

Revolutionary design

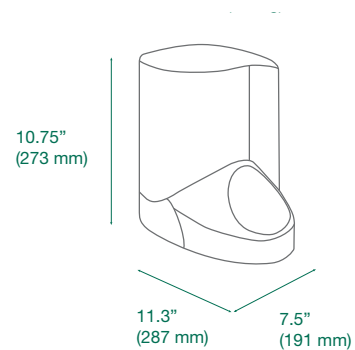
An innovative design keeps moving parts to a minimum, resulting in lower cost of ownership and increased reliability. InstaChange's unique shape also provides greater coin capacity and holds \$150 in coin; more than any other coin dispenser in the industry. The design of InstaChange's coin magazine makes for easy transport, storage and placement.

Intelligent functionality

InstaChange automatically dispenses the correct amount of change back to your clients in the least amount of coin required. Plus, InstaChange will automatically substitute when a coin channel is low, and features visual and audible low coin level indicators.

Easy to use and compact

The top-loading magazine of InstaChange is stable and easily filled in its upright position with either loose or rolled coin. Every unit is shipped with common software drivers that allow InstaChange to quickly integrate with most teller terminal and Point of Sale systems in use today. InstaChange supports both RS232 and USB interface configurations.



Product specifications

Dispensing coin sets	US, Canada, Euro, British Pound Sterling	Power Supply	115 230 VAC (+/-10%) 50/60 Hz
Dispense speed	Average 2-3 seconds	Standard Features	Rotary magazine Universal drive base Single coin ejection point Balanced coin depletion Intelligent substitution Audible alert LED indicators Locking cover
Capacity (U.S. coin)	\$150.35/\$.99 dispense \$.01 - 5 channels \$.05 - 2 channels \$.10 - 2 channels \$.25 - 4 channels	Options	Additional magazines for quick change out
Connectivity	USB and RS232		

North American Headquarters
2441 Warrenville Road
Lisle, IL 60532
United States
T +1 800.527.2638
www.talaris.com

